

Product identification 產品描述:**WF8 R6H 6 10 0.85-3TS**

① ② ③ ④ ⑤ ⑥

- ① Material number 材質編號
- ② Product shape 產品形狀
- ③ Core outer diameter 鐵芯外徑尺寸
- ④ Core Height size 鐵芯高度尺寸
- ⑤ Core inside diameter 鐵芯內徑尺寸
- ⑥ Number of winding coils 繞線圈數

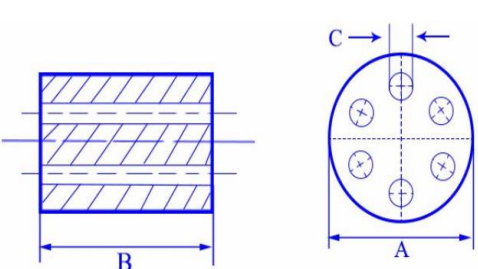



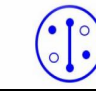

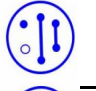

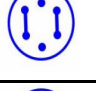


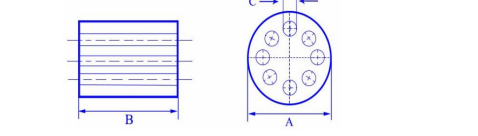


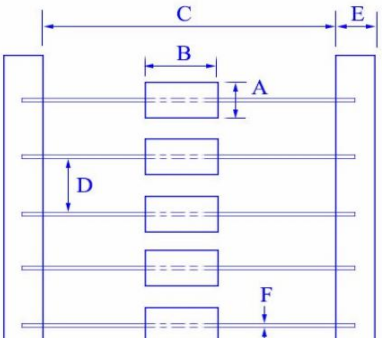
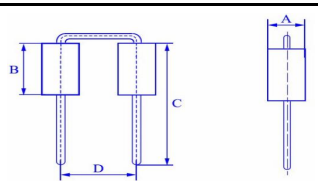


Product introduction 產品介紹:

- It is mainly used on computer boards to filter dry from the outside.
帶有插腳的鐵芯可自動插入印刷電路板。
- High performance current in DC power supply and signal filtering.
高性能直流電源電流和信號濾波。
- The number of coils can give play to noise countermeasures.
線圈的数量可以發揮噪聲對策的作用。
- The suppression of common mode noise has a good effect.
共模噪聲抑制效果良好。

Product application 產品應用:

- All kinds of communication equipment PCB board installation.
各種通信設備PCB板安裝。

● Shape and size 形狀與尺寸:

Shape		Ordering Core
	 	R6H 6*10*0.85-1.5TS
	 	R6H 6*10*0.85-2TS
	 	R6H 6*10*0.85-2.5TS
	 	R6H 6*10*0.85-2X1.5TS
	 	R6H 6*10*0.85-3TS
	 	R8H 5.2*10*0.85-4TS
		RH 3.5*3.2*0.8-T52
		RH 3.5*4.7*0.8-T52
		RH 3.5*6*0.8-T52
		RH 3.5*9*0.8-T52
		WF8 6ST08
		WF8 9ST08
		
		

● Detailed specification and parameter introduction

詳細規格及參數介紹：

UNIT: mm

NO	SIZE CODE	A	B	C	D	E	Impedance(Ω)min	
							25 MHz	100 MHz
1	R6H 6*10*0.85-1.5TS	6.0±0.4	10.0±0.4	0.85±0.3			280min	350min
2	R6H 6*10*0.85-2TS	6.0±0.4	10.0±0.4	0.85±0.3			300min	400min
3	R6H 6*10*0.85-2.5TS	6.0±0.4	10.0±0.4	0.85±0.3			635min	750min
4	R6H 6*10*0.85-2X1.5TS	6.0±0.4	10.0±0.4	0.85±0.3			290min	400min
5	R6H 6*10*0.85-3TS	6.0±0.4	10.0±0.4	0.85±0.3			700min	850min
6	R8H 5.2*10*0.85-4TS	5.2±0.4	10.0±0.4	0.85±0.3			590min	810min
7	RH 3.5*3.2*0.8-T52	3.5±0.3	3.2±0.3		52.4±3.7	5±1.12	15min	30min
8	RH 3.5*4.7*0.8-T52	3.5±0.3	4.7±0.3		52.4±3.7	5±1.12	35min	47min
9	RH 3.5*6*0.8-T52	3.5±0.3	6.0±0.3		52.4±3.7	5±1.12	44min	60min
10	RH 3.5*9*0.8-T52	3.5±0.3	9.0±0.3		52.4±3.7	5±1.12	50min	79min
11	WF8 6ST08	3.5±0.4	6.0±0.5	28.0±3.0	5.0±2.0			142min
12	WF8 9ST08	3.5±0.4	9.0±0.5	28.0±3.0	5.0±2.0			160min